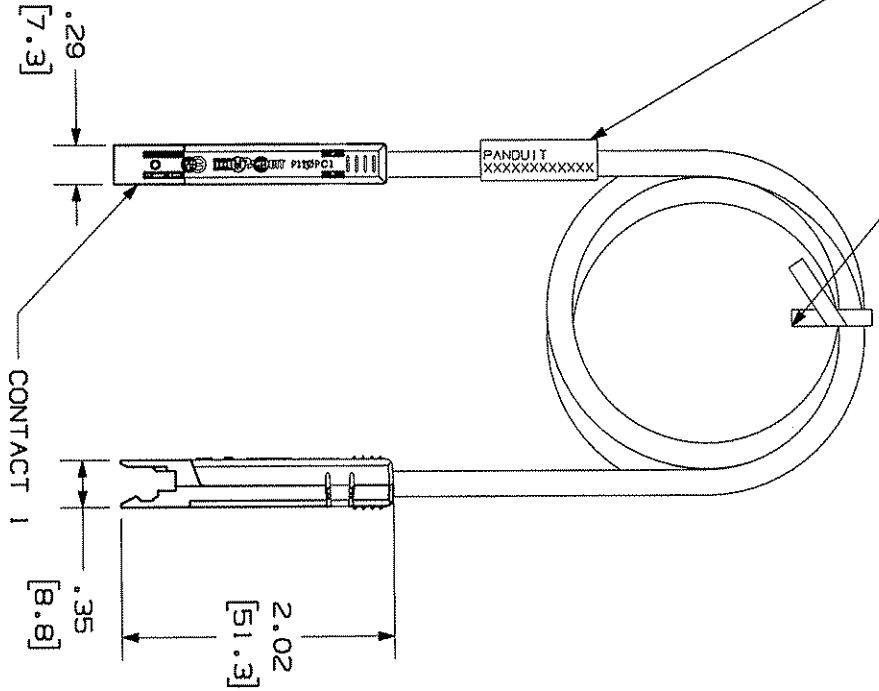


THIS COPY IS PROVIDED ON A RESTRICTED BASIS AND IS NOT TO BE USED IN ANY WAY DETRIMENTAL TO THE INTERESTS OF PANDUIT CORP.

IDENTIFICATION LABEL

TWIST TIE

CONTACT	CABLE WIRE COLOR
1	WHITE/BLUE
2	BLUE



- NOTES:
1. SEE CURRENT CATALOG FOR VARIOUS APPLICATIONS AND TO INDICATE PACKAGE QUANTITY. THE PATCH CORDS CAN BE USED WITH PAN-PATCH CONNECTING BLOCKS.
 2. USED WITH PAN-PATCH CONNECTING BLOCKS. PROPER WIRE SEQUENCE AND CONNECTIONS ARE IMPORTANT TO PROPER OPERATION AND TO PREVENT DAMAGE TO THE CABLES. THE JACKET SHOULD BE PROTECTED FROM MECHANICAL STRESS ON WIRES DURING DISCONNECTION. INTERGRAL STRAIN RELIEF MINIMIZES STRESS ON WIRES DURING DISCONNECTION.
 3. POLARIZED TO PREVENT REVERSE INSTALLATION TO CONNECTOR BLOCK.
 4. CATEGORY 3 UNSHIELDED TWISTED PAIR CABLE WITH 24AWG STRANDED TINNED COPPER CONDUCTOR.
 5. DIMENSIONS IN PARENTHESES ARE IN METRIC.

PANDUIT P/N	MIN. CABLE LENGTH	WEIGHT
P110PC1162Y	2 FT.	.24 LB/10 PCS (112.1 g/10 PCS)
P110PC1163Y	3 FT.	.31 LB/10 PCS (144.5 g/10 PCS)
P110PC1164Y	4 FT.	.38 LB/10 PCS (176.9 g/10 PCS)
P110PC1165Y	5 FT.	.45 LB/10 PCS (209.3 g/10 PCS)
P110PC1166Y	6 FT.	.52 LB/10 PCS (241.7 g/10 PCS)
P110PC1167Y	7 FT.	.59 LB/10 PCS (274.1 g/10 PCS)
P110PC1168Y	8 FT.	.66 LB/10 PCS (306.5 g/10 PCS)
P110PC1169Y	9 FT.	.73 LB/10 PCS (338.9 g/10 PCS)
P110PC11612Y	12 FT.	.93 LB/10 PCS (430.1 g/10 PCS)
P110PC11615Y	15 FT.	1.15 LB/10 PCS (533.3 g/10 PCS)
P110PC11618Y	18 FT.	1.38 LB/10 PCS (630.5 g/10 PCS)
P110PC11619Y	19 FT.	1.48 LB/10 PCS (685.1 g/10 PCS)
P110PC11616.SMY	.5M	.22 LB/10 PCS (100.45g/10 PCS)
P110PC11617Y	1M	.33 LB/10 PCS (153.6 g/10 PCS)
P110PC1161.SMY	1.5M	.45 LB/10 PCS (206.8 g/10 PCS)
P110PC1162.SMY	2M	.56 LB/10 PCS (259.9 g/10 PCS)
P110PC1163.SMY	3M	.79 LB/10 PCS (388.2 g/10 PCS)
P110PC1164.SMY	4M	1.02 LB/10 PCS (472.5 g/10 PCS)
P110PC1165.SMY	5M	1.25 LB/10 PCS (578.8 g/10 PCS)
P110PC1166.SMY	6M	1.48 LB/10 PCS (685.1 g/10 PCS)

SIZE A

DRAWING FILENAME

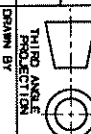
M02479J0_DC253_00A.PRT

SIZE A

TITLE
CATEGORY 3 110 PATCHCORD
CUSTOMER DRAWING



PANDUIT CORP.
TINILEY PARK, IL 60477



ALL DIMENSIONS ARE GIVEN IN INCHES.
DIMENSIONS IN PARENTHESES ARE IN METRIC.
DIMENSIONAL TOLERANCES ARE:
1.X1 ±.031(.8) 1.XXX1 ±.010(.3)
1.XX1 ±.005(.125) ANGLES ±

REVIEW DRAWING NUMBERS

REV	DATE	BY	CHK	DESCRIPTION	ECN	R	CUST	SUP	OTH
R	3-17-06	NER	NER	RELEASED TO PRODUCTION.	02479-253				

DATE	DATE	DATE
3-17-06		

DRAWING NO. 02479-253